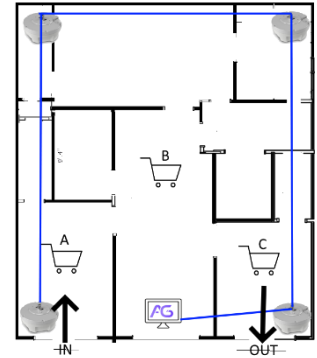


AGen Real Time Location System

Introduction

The AGen Real-Time Location System (RTLS) powered with Zebra ATR7000 reader is an advanced tracking solution designed to provide precise, real-time location data for a wide range of applications. Leveraging state-of-the-art technologies, the ATR7000 offers high accuracy, extensive coverage, and robust performance, making it ideal for dynamic and complex environments such as warehouses, manufacturing facilities, and distribution centres.



The main objective of implementing the AGen Real-Time Location System (RTLS) is to allow you to achieve a highly efficient and accurate tracking system for managing trolley movement within your designated premises, leading to improved operational performance and resource utilization.

Key Features

High Accuracy: Delivers precise location tracking with minimal margin of error (Up to 1 meter distant).

Real-Time Data: Provides instant updates on the location of tagged items.

Wide Coverage: Capable of covering large areas with fewer readers required.

Multi-Technology Support: Compatible with UHF RFID for versatile tracking.

Durable Design: Built to withstand industrial environments.

Scalable: Easily integrates into existing systems and scales with business needs.



What you need to know for implementation?

Plan the System Layout

Install the RFID Readers

Tag the Trolleys

Set Up the AGen Software

Configure the System

Test the System

Monitor Trolley Movement

Analyze Data

Set Up Alerts and Notifications

